

CODENUMMERS

| | |
|---|-------------------|
| Kast (/00/22) | 4822 127 00176 |
| Voetje | 4822 127 00177 |
| Bevestigingsbeugel voor luidspreker | 4822 127 00178 |
| Achterwand | 4822 127 00179 |
| Antennebuis | JR 303 02 |
| Luidsprekerplug | 979/S2×4 |
| Druktoets | 4822 127 00181 |
| Drukknopeenheid | 4822 127 00182 |
| Tule | A3 642 11 |
| Netschakelaar | 4822 134 00225 |
| Nylon tandwiel, aandrijving variabele condensator | 4832 127 00183 |
| Nylon tandwiel op as voor golfgebiedschakelaar | 4822 127 00184 |
| Nylon-schuif, aangedreven door | 4822 127 00185 |
| 4822 127 00184 | 4822 127 00186 |
| Afstemtrommel | A9 885 07 |
| Schaalachtergrond | A3 311 15 |
| Lamphouder | 4822 127 00187 |
| Front | 4822 109 00311 |
| Schaal | 4822 109 00311 |
| Schroef bevestiging schaal | 4822 127 00188 |
| Knop, geluidsterkte | 4822 109 00311 |
| Knop, gebiedschakelaar | 4822 127 00189 |
| Schroef, bevestiging knoppen | 4822 127 00191 |
| Ferroceptor | 4822 127 00192 |
| Voedingstransformator | 4822 127 00194 |
| Afstemcondensator | 4822 127 00195 |
| Geluidsterteregelaar R30/R31 | 4822 059 00353 |
| Klankregelaar | 916/GL4K - 16K |
| Schaalverlichtingslampje | 916/GL200K + 800K |
| | 955/D6,3 × 320 |

BEDIENINGSORGANEN

1. Geluidsterkte (R30/31)
2. Klank (R36)
3. Netschakelaar
4. PU-schakelaar
5. Golfgebiedschakelaar
6. Afstemming

SPECIFICATIE

| | |
|------------------|---------------------------------|
| Middengolf | 187 - 572 m (1620 - 510 kHz) |
| Lange golf | 1154 - 2000 m (260 - 150 kHz) |
| FM | 3,43 - 2,88 m (87,5 - 104 MHz) |
| Luidspreker | AD 3386 PX, 15 ohm, 3 W |
| Netspanning | 110-127-220-240 V~ |
| Uitgangsvermogen | 1,8 W |
| Afmetingen | 19 × 39 × 30 cm |
| Platenspeler | AG 2031 |

AANSLUITINGEN

- AM-buitenantenne
- FM-buitenantenne

PRINCIPESHEMA pagina 105

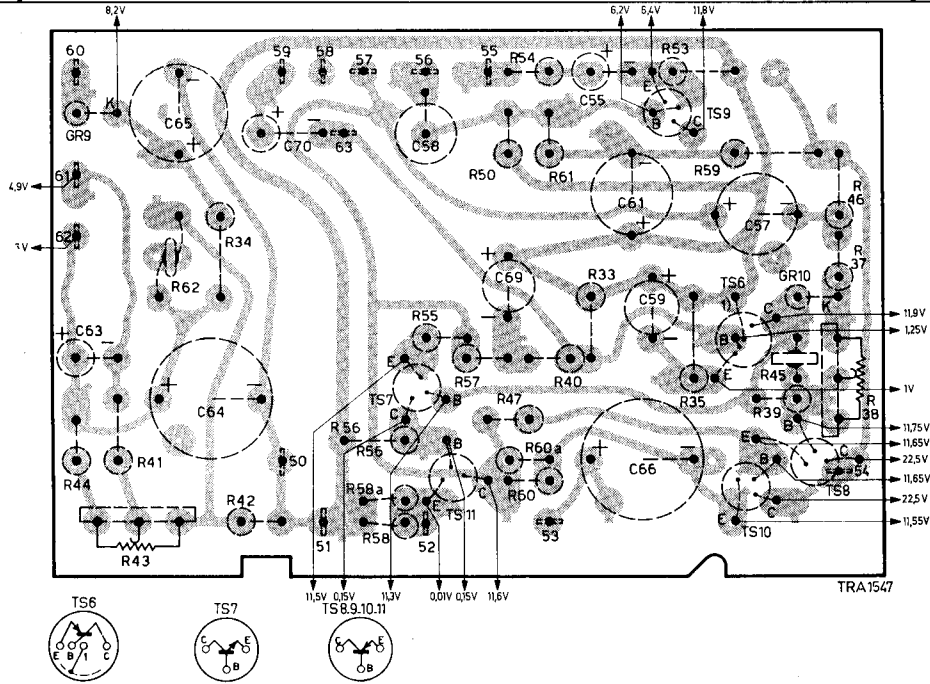
SNAARLOOP pagina 105

BLOKSHEMA pagina 105

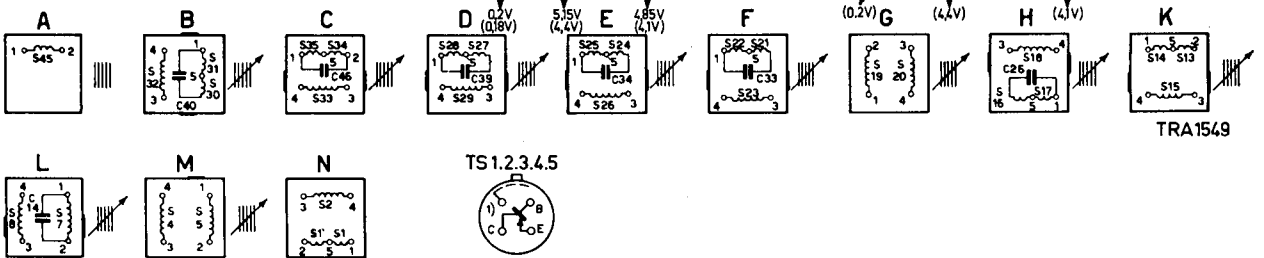
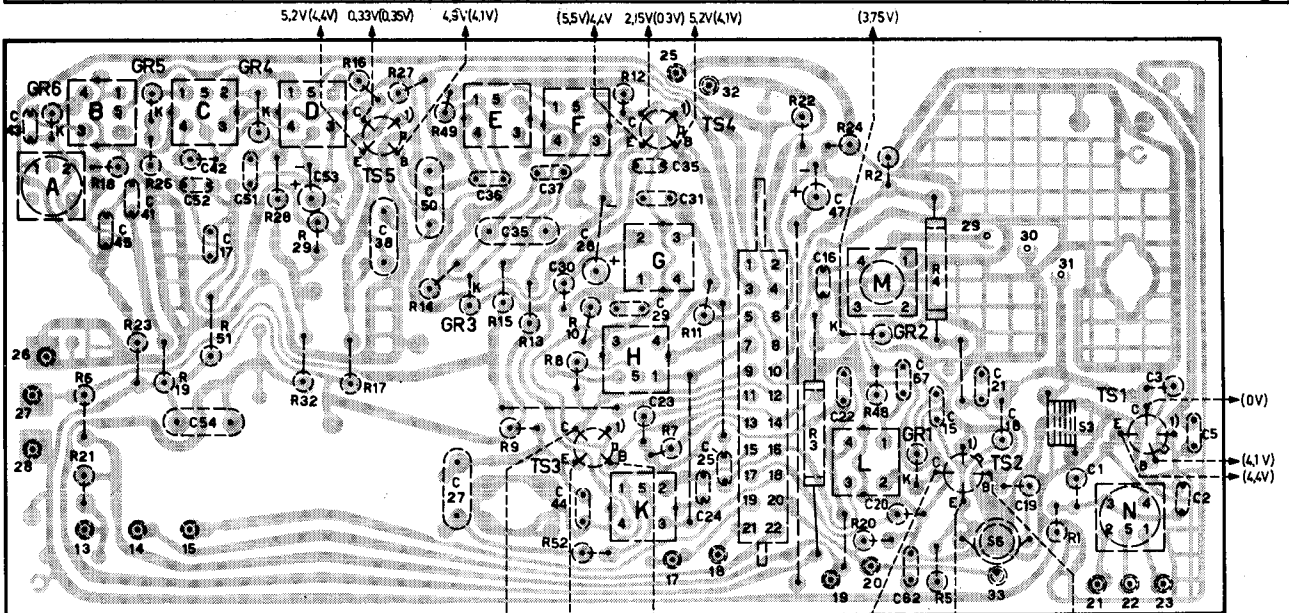
OVERZICHT HALFGELEIDERS

| | | |
|-------|--------|--|
| TS 1 | AF 124 | HF-versterker FM |
| TS 2 | AF 125 | Oscillator en menggedeelte FM |
| TS 3 | AF 126 | MF-versterker FM en oscillator-menggedeelte AM |
| TS 4 | AF 126 | MF-versterker AM en FM |
| TS 5 | AF 126 | MF-versterker AM en FM |
| TS 6 | AF 117 | LF-versterker |
| TS 7 | AC 127 | Eindversterker |
| TS 8 | AC 132 | Eindversterker |
| TS 9 | AC 126 | LF-voorversterker |
| TS 10 | AC 128 | Eindversterker |
| TS 11 | AC 128 | Eindversterker |
| GR 1 | AA 119 | Regeldiode AVR |
| GR 2 | BA 102 | Regeldiode AFR |
| GR 3 | AA 119 | Regeldiode |
| GR 4 | AA 119 | Detector FM |
| GR 5 | AA 119 | Detector FM |
| GR 6 | AA 119 | Detector AM |
| GR 9 | BA 100 | Gelijkrichter (voeding) |
| GR 10 | BA 114 | Stabiliseerdiod |
| GR 11 | BY 114 | Gelijkrichter (voeding) |
| GR 12 | BY 114 | Gelijkrichter (voeding) |

| | | | | | | | | | | | | | | | | | | | | | | | | | | | | |
|---|----|----|----|----|----|----|----|-----|----|----|----|----|----|----|----|-----|----|----|----|----|----|----|----|----|----|----|----|---|
| C | 63 | 65 | 64 | 70 | 58 | 69 | 55 | 61 | 66 | 59 | 57 | C | | | | | | | | | | | | | | | | |
| R | 44 | 43 | 41 | 62 | 34 | 42 | 56 | 58a | 58 | 55 | 57 | 50 | 47 | 54 | 60 | 60a | 61 | 40 | 33 | 53 | 35 | 59 | 39 | 45 | 46 | 37 | 38 | R |

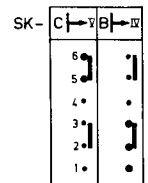
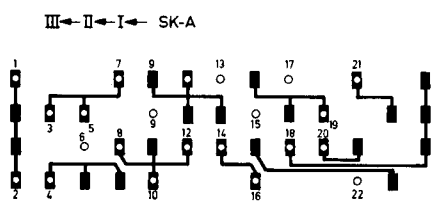
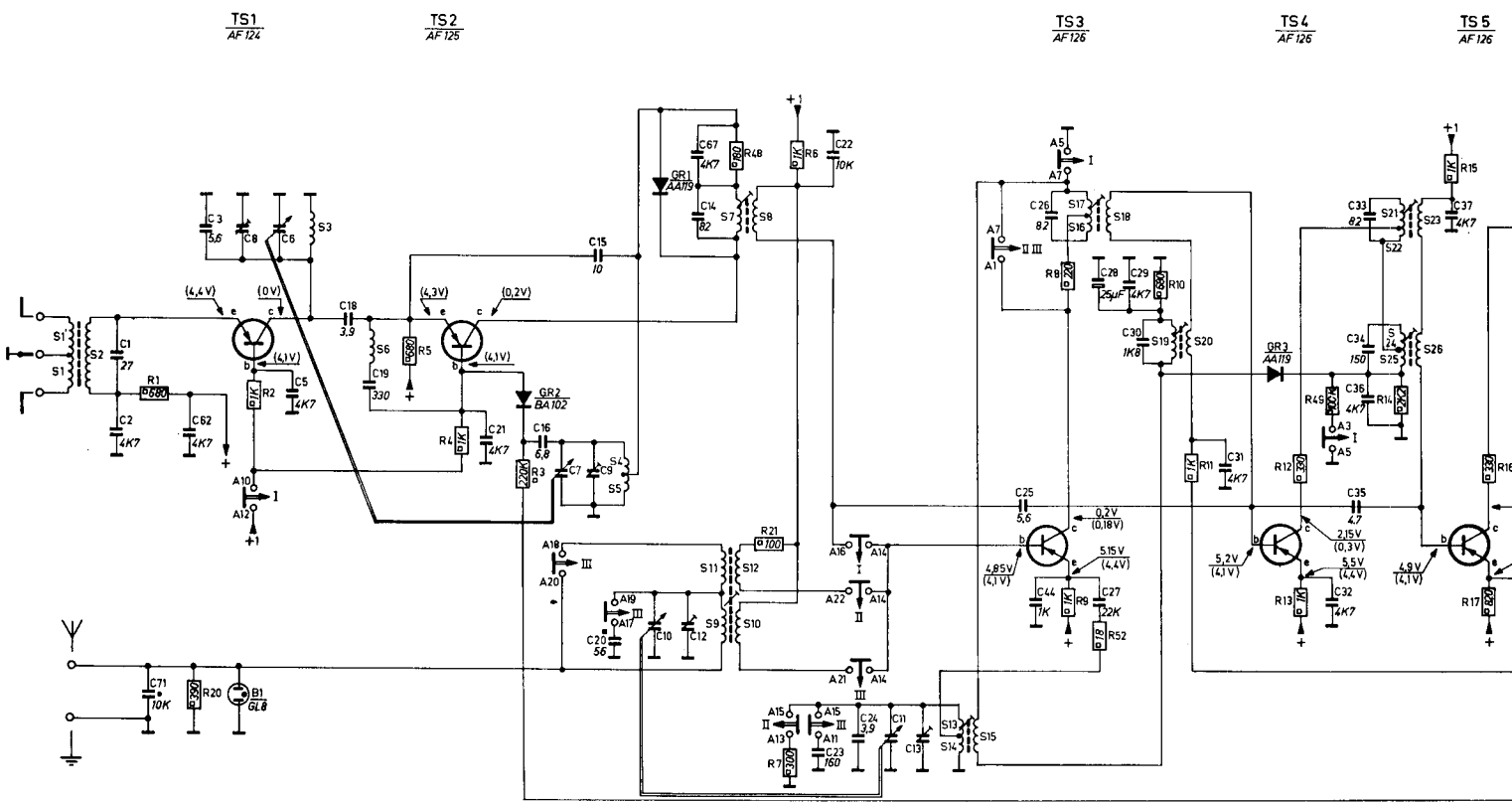


| | | | | | | | | | | | | | | | | | | | | | | | | | | | | | | | | | | | | | | |
|----|----|----|----|----|----|----|----|----|----|----|----|----|----|----|----|----|----|----|----|----|----|----|----|----|----|----|----|----|----|----|----|----|----|---|---|---|---|---|
| A | B | C | D | E | F | H | K | G | L | M | 6 | 3 | N | S | | | | | | | | | | | | | | | | | | | | | | | | |
| 43 | 45 | 41 | 42 | 52 | 54 | 17 | 51 | 53 | 38 | 50 | 27 | 36 | 32 | 37 | 30 | 44 | 28 | 23 | 29 | 35 | 31 | 25 | 24 | 47 | 16 | 22 | 62 | 20 | 67 | 15 | 21 | 18 | 19 | 1 | 3 | 2 | 5 | C |
| 6 | 21 | 18 | 23 | 26 | 19 | 51 | 28 | 29 | 32 | 16 | 17 | 27 | 14 | 49 | 15 | 13 | 9 | 8 | 10 | 52 | 12 | 7 | 11 | 22 | 3 | 24 | 2 | 48 | 20 | 4 | 5 | 1 | | | | R | | |

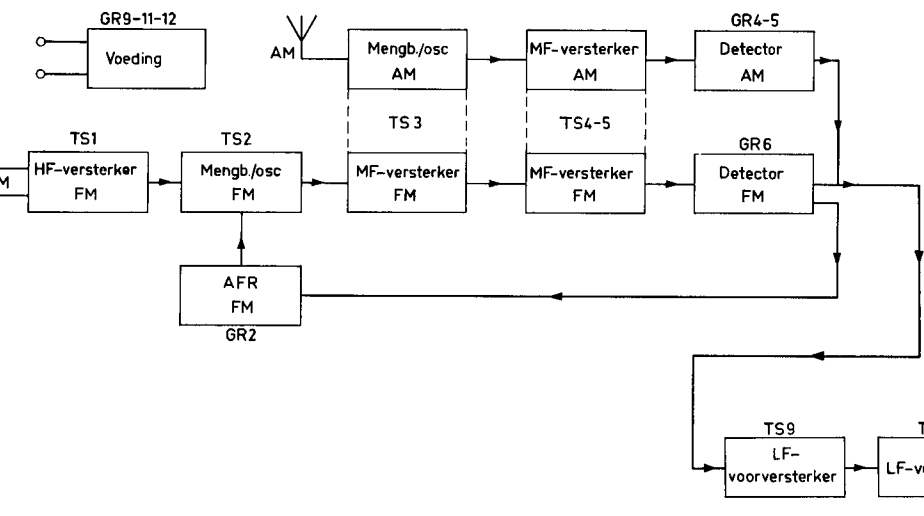


CHEMA H3 X 52 AT

| | | | | | | | | | | | | | |
|---|-----------------------------------|----|------------------|-----------------|---------------------|-------------|-----------------|------------|---------------------|------------------------|-------------|-----|-------------|
| S | 1, 2 | 3 | 6 | 4, 5 | 11, 12, 10 | 7, 8 | 13, 14, 15 | 17, 16, 18 | 19, 20 | 21, 22, 23, 24, 25, 26 | 37 | | |
| C | 1, 2, 71, 62, 3, 8, 6, 5, 18, 19, | 21 | 16, 7, 9, 15, 20 | 10, 12, 67, 14, | 23, 22, 24, 11, 13, | 25, 44, 26, | 28, 27, 29, 30, | 31 | 32, 35, 33, 34, 36, | 37 | | | |
| R | 1, 20, | 2, | 5, | 4, | 3, | 48, | 21, 76, | 88, | 52, | 10, 11, | 12, 13, 49, | 14, | 15, 16, 17, |



- I - FM-UKW
- II - MW-MG-PO-OM
- III - LW-LG-GO-OL
- IV - PU-TA
- Y - ON-AAN-CONNECTER-EIN-CONNECTADO



- | | |
|----------------|----------------|
| TS 1 - AF 124 | GR 1 - AA 119 |
| TS 2 - AF 125 | GR 2 - BA 102 |
| TS 3 - AF 126 | GR 3 - AA 119 |
| TS 4 - AF 126 | GR 4 - AA 119 |
| TS 5 - AF 126 | GR 5 - AA 119 |
| TS 6 - AF 117 | GR 6 - AA 119 |
| TS 7 - AC 127 | GR 9 - BA 100 |
| TS 8 - AC 132 | GR 10 - BA 114 |
| TS 9 - AC 126 | GR 11 - BY 114 |
| TS 10 - AC 128 | GR 12 - BY 114 |
| TS 11 - AC 128 | |

